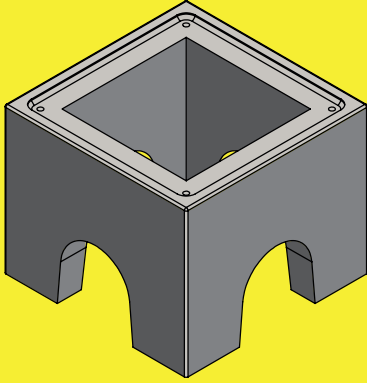




EV BLOCKS.COM

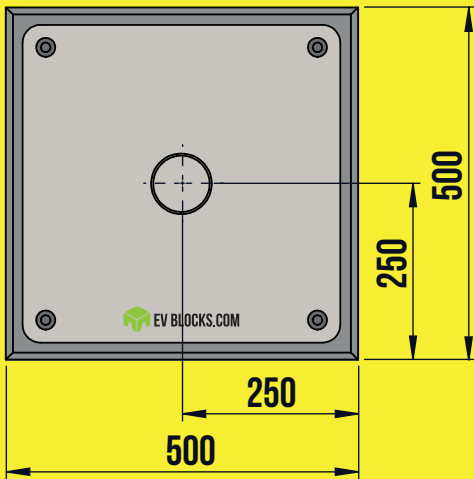
ELECTRIC VEHICLE CHARGER INSTALLATION BLOCKS

500 X 500 DATA SHEET



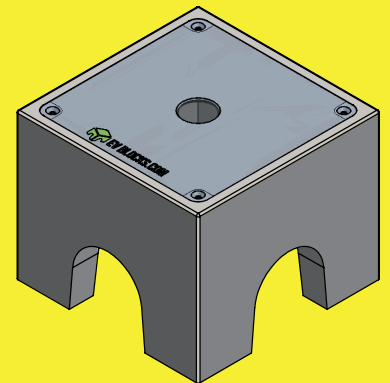
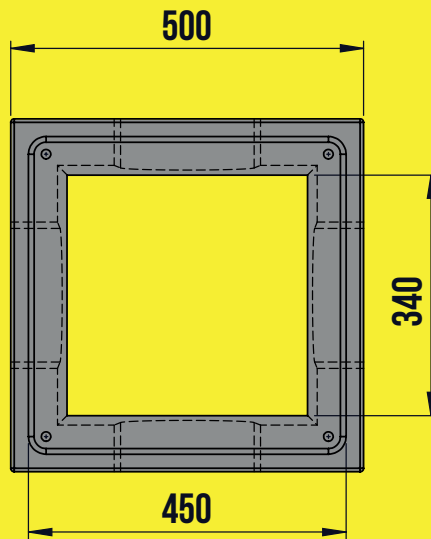
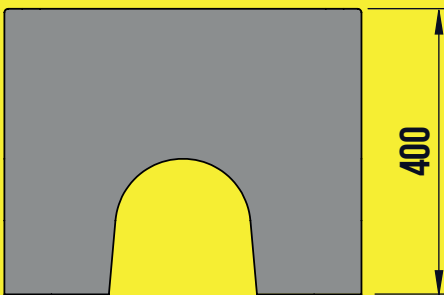
B500+ EV BLOCK

- Pre-Cast Concrete EV charger base with a universal adaptor plate
- Blocks can be fitted for future-proofing an installation
- Uniform finish every time
- 100% Recyclable
- Can be installed in any weather conditions



LENGTH	500MM
WIDTH	500MM
HEIGHT	400MM

BLOCK WEIGHT	90.2KG
PLATE WEIGHT	4.1KG
EV BLOCK TOTAL WEIGHT	94.3KG



ALL MEASUREMENTS IN MILLIMETRES

01733 513 777
info@evblocks.com



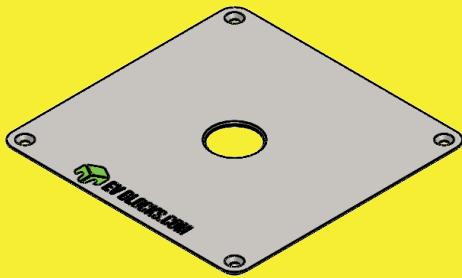
**ENGINEERED
TO SAVE YOU TIME
AND MONEY**



EV BLOCKS.COM

ELECTRIC VEHICLE CHARGER INSTALLATION BLOCKS

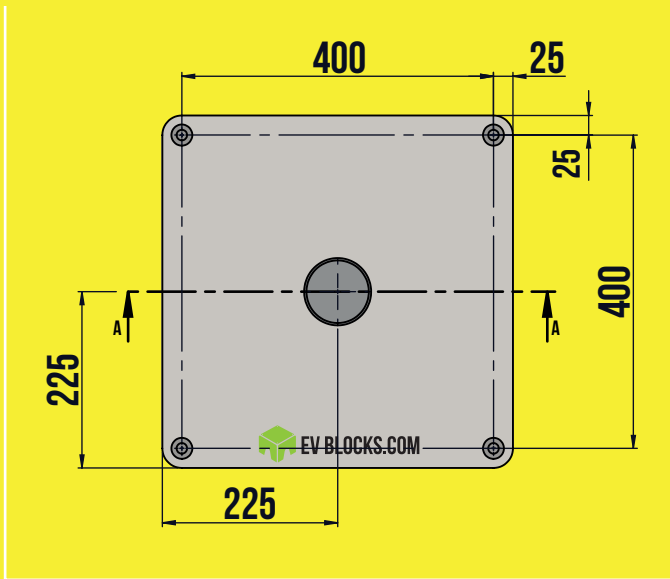
P500+ DATA SHEET



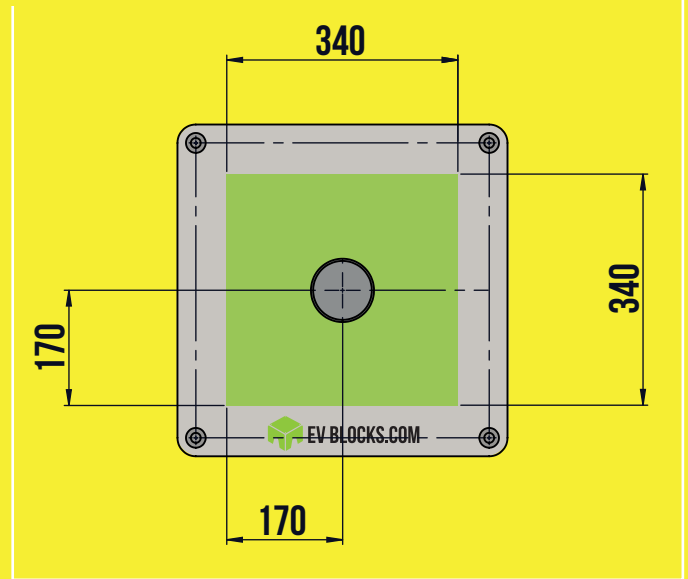
P500+ ADAPTABLE PLATE

- Universal adaptor plate made from anodized aluminum
- Future-Proof Design
- Uniform finish every time
- 100% Recyclable

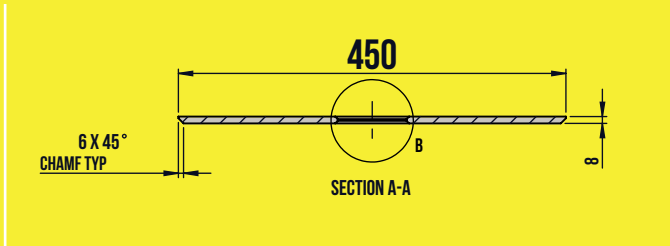
TOTAL DIMENSIONS



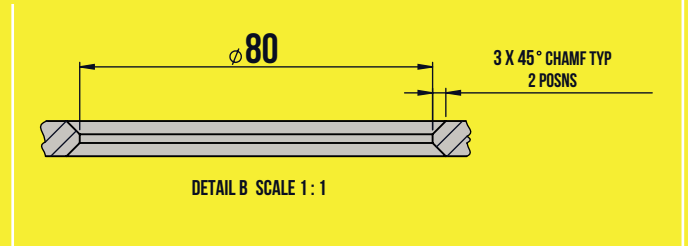
SPACE AVAILABLE FOR FIXINGS



CROSS-SECTION



CENTRE HOLE



ALL MEASUREMENTS IN MILLIMETRES

01733 513 777
info@evblocks.com



**ENGINEERED
TO SAVE YOU TIME
AND MONEY**